



3" Slim Panel Downlight

The first slim panel with a 1/4" recess!



FEATURES

3" 5W 400lm

Type IC rated (direct contact with insulation)

cETLus listed

- Dimmable
- 50,000 hour life
- 5W replaces 40W halogen
- Air-tight aluminum housing with PMMA lampshade in white finish
- Glare-free polycarbonate diffused lens
- Suitable for damp locations
- Quick & easy installation
- No flicker, mercury free, instant on
- 5-year warranty

APPLICATION

- Offices
- Retail
- Museum
- Hospitality
- Commercial
- Lighting showroom

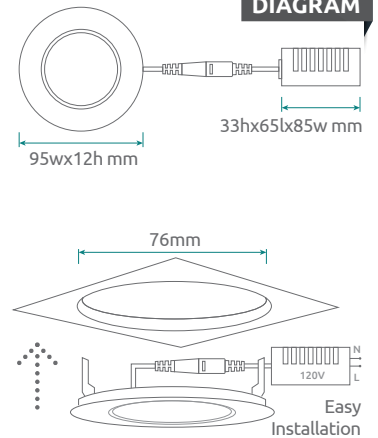
INSTALLATION

- Recessed
- Insulated/drop ceilings
- Fits under studs and in narrow plenums

ADDITIONAL INFO

- White/Black/Silver Avai.
- Operating Temperature -25°C ~+40°C

DIAGRAM



ORDER CODE	DESCRIPTION	WATTS	VOLT	LUMENS	CCT(K)	LIFE HRS	BEAM ANGLE	CRI	IP	POWER FACTOR	MOL (MM)	MOUNT SIZE	CASE QTY.
L3503-061E	ILLX SLMP 3"R 5W 3K 400L WH cT	5	120 V	400	3000	50,000	180°	80+	44	0.95-0.98	95	76	40
L3503-062E	ILLX SLMP 3"R 5W 4K 400L WH cT	5	120 V	400	4000	50,000	180°	80+	44	0.95-0.98	95	76	40
L3503-063E	ILLX SLMP 3"R 5W 5K 400L WH cT	5	120 V	400	5000	50,000	180°	80+	44	0.95-0.98	95	76	40
L3503-064E	ILLX SLMP 3"R 5W 6K 400L WH cT	5	120 V	400	6000	50,000	180°	80+	44	0.95-0.98	95	76	40

Distributed by



To Place an Order Call: T. 1-289-201-7878 T.F. 1-888-368-7730
 Email: information@ubiquilux.com | Website: www.ubiquilux.com
 Ubiquilux Corp.: 511 Maple Grove P.O. Box 61032 Oakville, ON, L6J 7P5