

ILLUMINEX

4" Slim Panel Downlight

The first slim panel with a 1/4" recess!



FEATURES

4" 9W 550lm

Type IC rated (direct contact with insulation)

Energy Star, cETLus listed

- Dimmable
- 50,000 hour life
- 9W replaces 50W halogen
- Air-tight aluminum housing with PMMA lampshade in white finish
- Glare-free polycarbonate diffused lens
- Suitable for damp locations
- Quick & easy installation
- No flicker, mercury free, instant on
- 5-year warranty

APPLICATION

- Offices
- Retail
- Museum
- Hospitality
- Commercial
- Lighting showroom

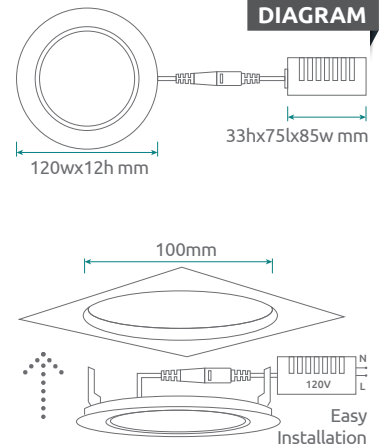
INSTALLATION

- Recessed
- Insulated/drop ceilings
- Fits under studs and in narrow plenums

ADDITIONAL INFO

- White/Black/Silver Avail.
- Operating Temperature -25°C ~+40°C

DIAGRAM



ORDER CODE	ENERGY STAR LISTING CODE	DESCRIPTION	WATTS	VOLT	LUMENS	CCT(K)	LIFE HRS	BEAM ANGLE	CRI	IP	PF	MOL (MM)	MOUNT SIZE	CASE QTY.
L3504-901E	YG-YGCL-9X-ETL(3000K)	ILLX SLMP 4"R 9W 3K 550L WH cE	9	120 V	550	3000	50,000	180°	80+	44	0.98	120	100	40
L3504-902E	YG-YGCL-9X-ETL(4000K)	ILLX SLMP 4"R 9W 4K 550L WH cE	9	120 V	550	4000	50,000	180°	80+	44	0.98	120	100	40
L3504-903E	YG-YGCL-9X-ETL(5000K)	ILLX SLMP 4"R 9W 5K 550L WH cE	9	120 V	550	5000	50,000	180°	80+	44	0.98	120	100	40

Distributed by

ubiquilux

To Place an Order Call: T. 1-289-201-7878 T.F. 1-888-368-7730
 Email: information@ubiquilux.com | Website: www.ubiquilux.com
 Ubiquilux Corp.: 511 Maple Grove P.O. Box 61032 Oakville, ON, L6J 7P5